

Technical data sheet



Product features

Open stand mobile 40x60

Model

SAP Code

00003160



– Material: Stainless steel

Technical data sheet



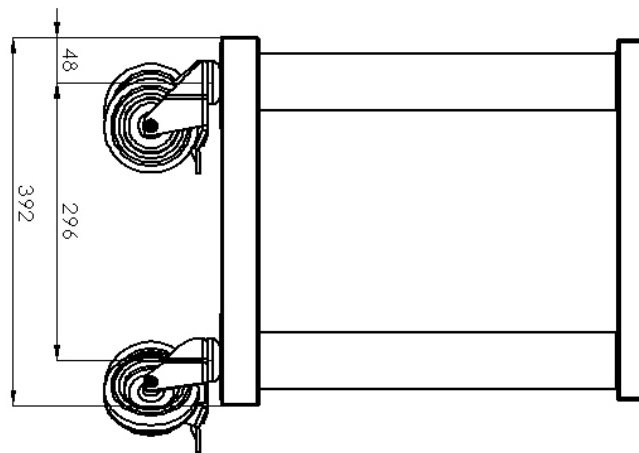
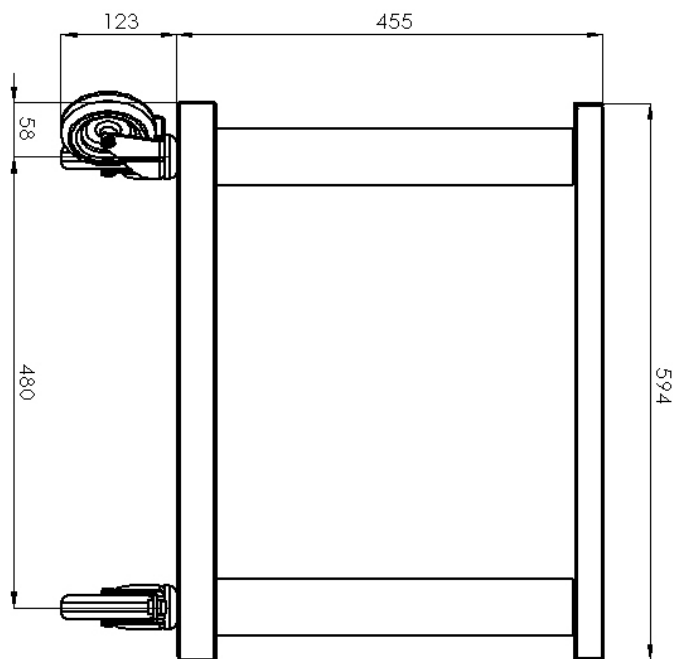
Technical drawing

Open stand mobile 40x60

Model

SAP Code

00003160



Technical data sheet



Technical parameters

Open stand mobile 40x60

Model

SAP Code

00003160

1. SAP Code:

00003160

6. Gross Width [mm]:

410

2. Net Width [mm]:

390

7. Gross depth [mm]:

610

3. Net Depth [mm]:

600

8. Gross Height [mm]:

580

4. Net Height [mm]:

570

9. Gross Weight [kg]:

13.00

5. Net Weight [kg]:

12.50

10. Material:

Stainless steel